

EPR: 10 INCH

ISSUE No:

DATE:
25 March 2004

CUSTOMER:
CMCS STANDARD

REFERENCE:
10 INCH SINGLE

FORMAT:
10 INCH SINGLE SLEEVE

MATERIAL:
190GSM 1 SIDE COATED

SPEC No:

No IMAGES:

DRAWN BY:

SAMPLED: YES

STYLE APROVED: YES

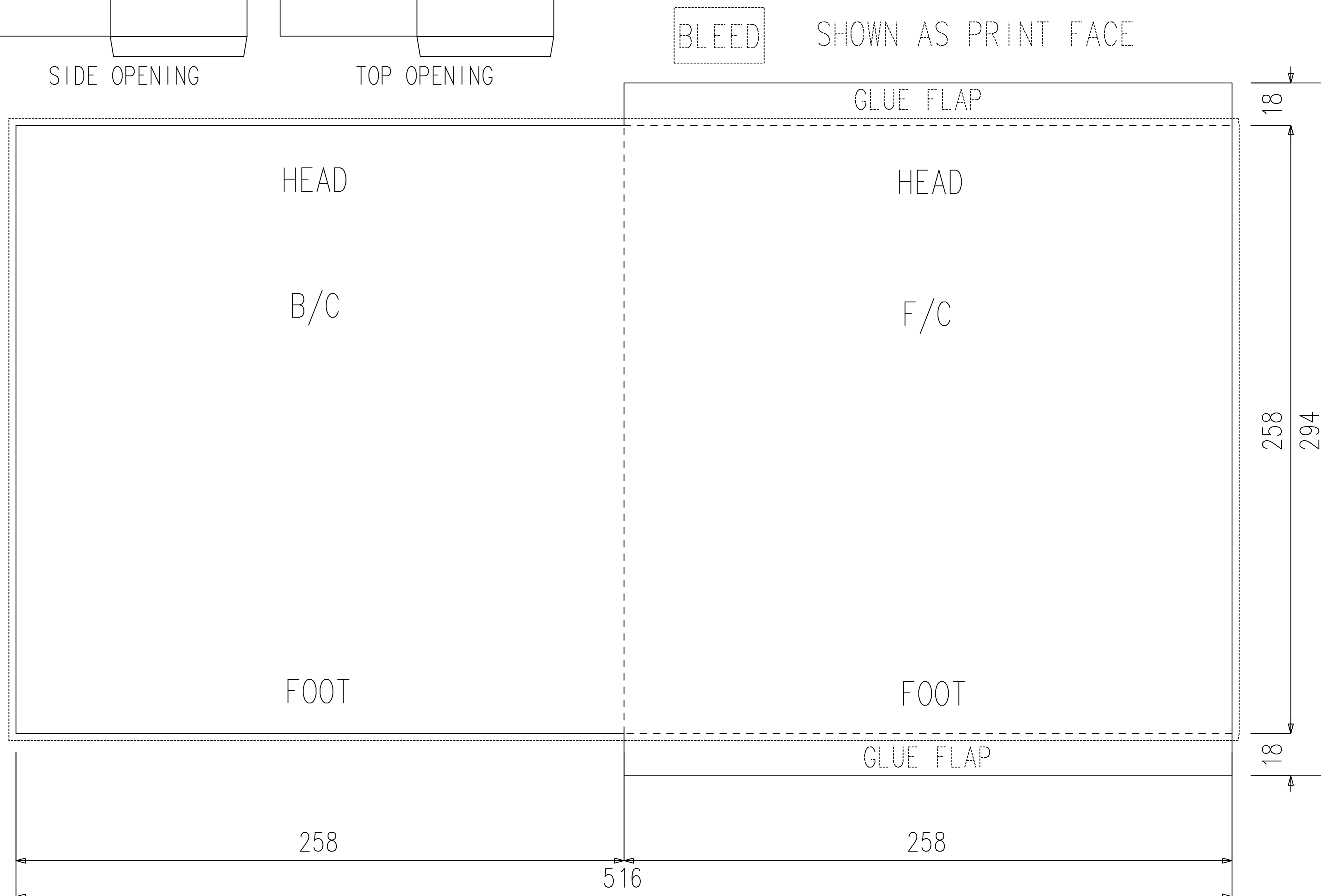
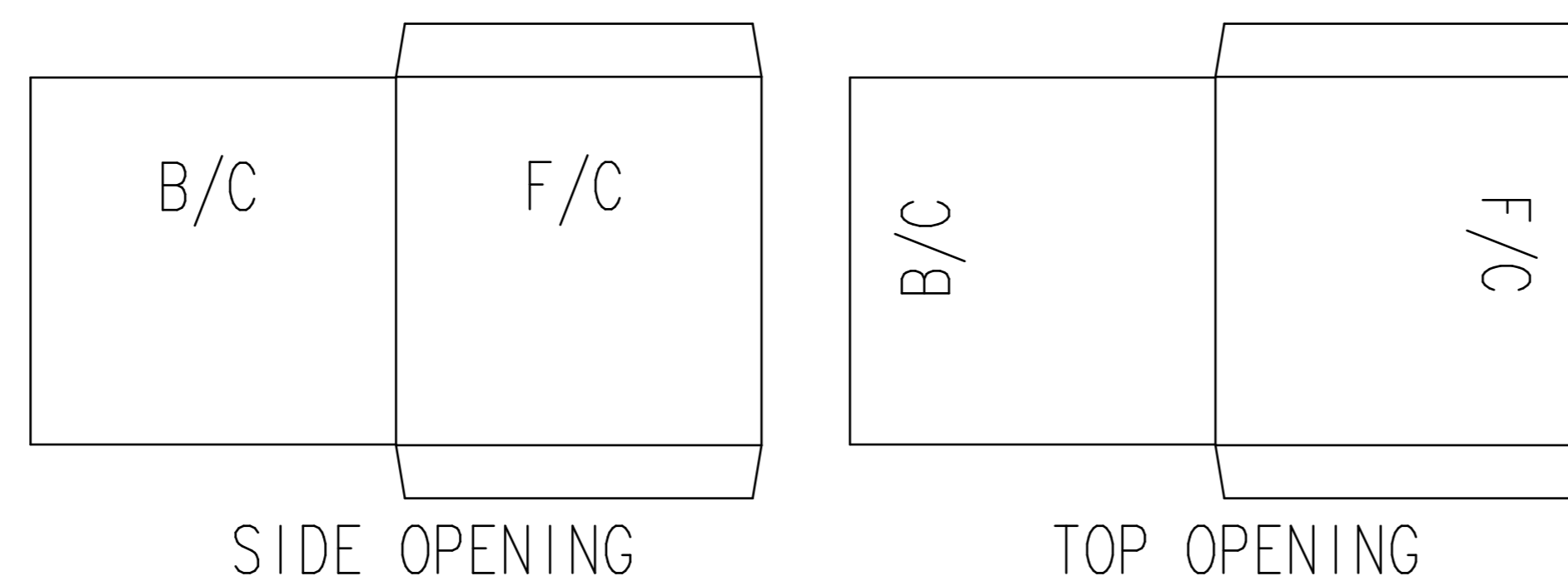
IMPORTANT INFORMATION

BLEED

SHOWN AS PRINT FACE

MINIMUM 3MM BLEED
NO IMAGE ON MARKED GLUE FLAP
EXCEPT 5MM BLEED.

DIAGRAM REMAINS THE PROPERTY
OF CMCS SALES LTD.
NOT TO BE DISCLOSED TO THIRD PARTIES
WITHOUT PRIOR WRITTEN PERMISSION.



NOTES:

PRODUCT CONTENTS:

LINESTYLES	CUT —————	CREASE - - - - -	CUT CREASE - · - · - ·	PERF · · · · ·	SCORE · · · · ·
------------	-----------	------------------	------------------------	----------------	-----------------