

**CMCS**

EPR:

ISSUE No: 1

DATE:

07 June 2004

CUSTOMER:

CMCS

REFERENCE:

CMCS STANDARD

FORMAT:

7" LABEL

MATERIAL:

SPEC No:

No IMAGES:

DRAWN BY: M.STILL

SAMPLED: NO

STYLE APPROVED: YES

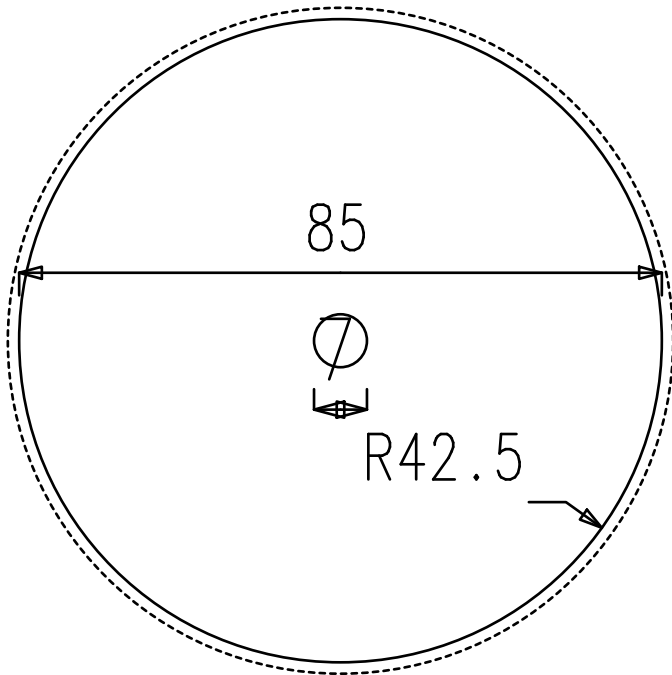
IMPORTANT INFORMATION

**BLEED**

SHOWN AS PRINT FACE

MINIMUM 3MM BLEED  
 NO IMAGE ON MARKED GLUE FLAP  
 EXCEPT 5MM BLEED.

DIAGRAM REMAINS THE PROPERTY  
 OF CMCS SALES LTD.  
 NOT TO BE DISCLOSED TO THIRD PARTIES  
 WITHOUT PRIOR WRITTEN PERMISSION.



NOTES:

PRODUCT CONTENTS:

LINESTYLES

CUT

CREASE

CUT CREASE

PERF

SCORE